

FILE: J:\CUTDWG\CATRL\CD-03502

INDUCTANCE

0.8 mH

LOSSES

54 Watts

WEIGHT

16 Lbs

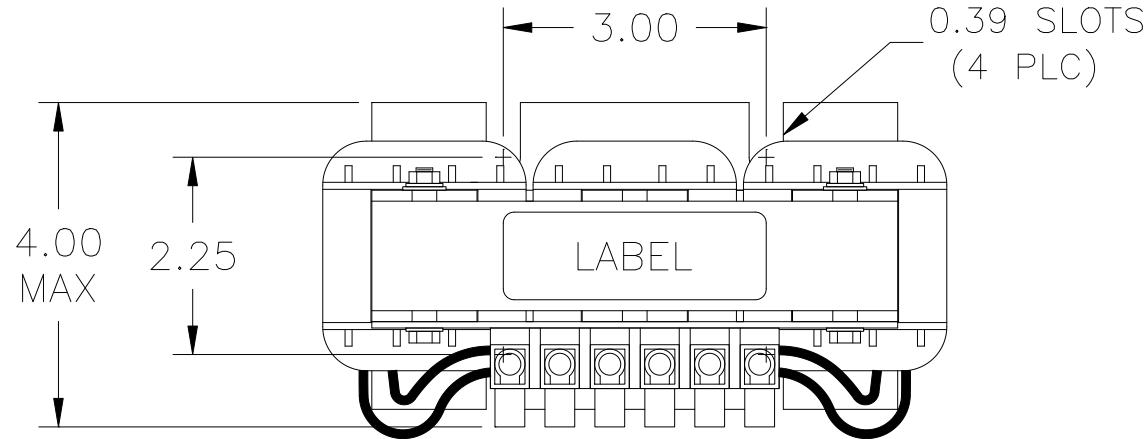
NO.

CHANGE DESCRIPTION

BY

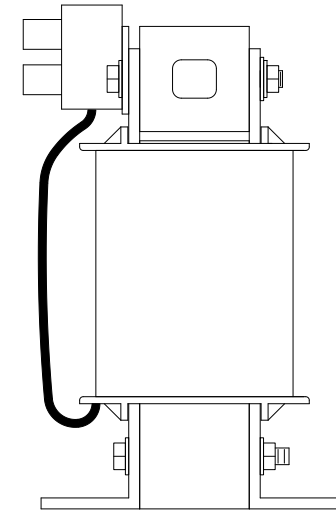
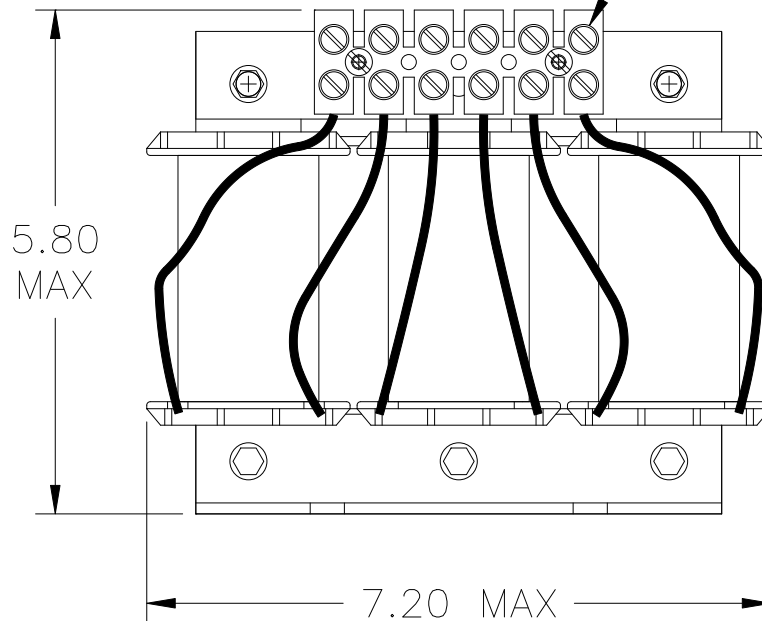
DATE

C'K'D



WIRE RANGE: 22-5 AWG

CAUTION-TERMINAL SCREW TIGHTENING  
TORQUE: 16 in-lb MAX.



UNLESS OTHERWISE SPECIFIED, DIMENSIONS ARE IN INCHES [mm] AND TOLERANCES ARE:

DECI.                      FRAC.

ANGLES                      DRILLED HOLES

PART NAME: 3-PHASE REACTOR

DESCRIPTION: OUTLINE DIMENSION

FINISH:

MTE CORPORATION  
MENOMONEE FALLS, WISCONSIN

RL-03502

REV.  
16

SCALE NTS

DATE 10/23/95

C'K'D

REF.

DR. BY SJW

APP'D